



# Sand units

## Sand washing and recovery of fine





## Benefits:

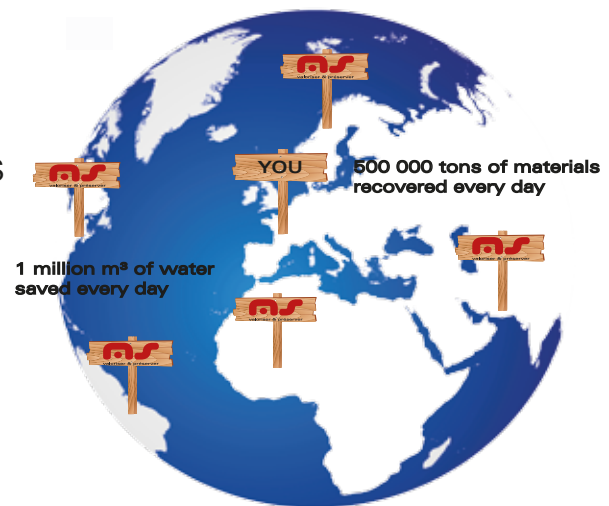
Eliminate the bad silts (particles < 0,063 mm), organize cuts and upgrade your output to obtain high quality sand for concrete.

## Fields of application

- > Gravel & concrete sand industries
- > Desanding of bentonitic slurries used by slurry TBMs shield
- > Treatment of polluted soils (rehabilitation of industrial sites, dredging of rivers or harbours, etc.)

## A complete range of 10 units

- > From 20 to 300 t/h of washed sand
- > Adapted solution to the required volumes
- > Efficient, compact and reliable plants



## Modular design

- > Turnkey solution
- > Made to measures layout configuration
- > Optimal integration in the process

## Anti-abrasion protection

- > Special rubber lining of pump parts, hydrocyclone inner parts, steelwork and steel parts subject to abrasion, discharge pipes
- > Dewatering screen panels in polyurethane



## Services

At each stage of the project, from the start with a technical and commercial expert or later on with a project engineer MS appoints a qualified correspondent to assist you: he will be there to listen to you, follow up, and act to coordinate the associated services and the other staff involved – project service, assembly supervision, commissioning technicians, after sales service....



Pre-mounting in our workshops

Made to measure access and security devices



Automatic recomposition of grain size distribution

Controlled envelop

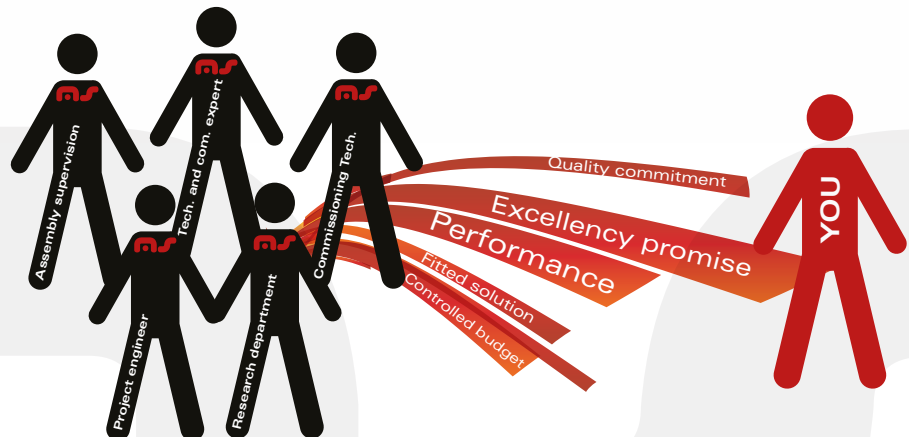
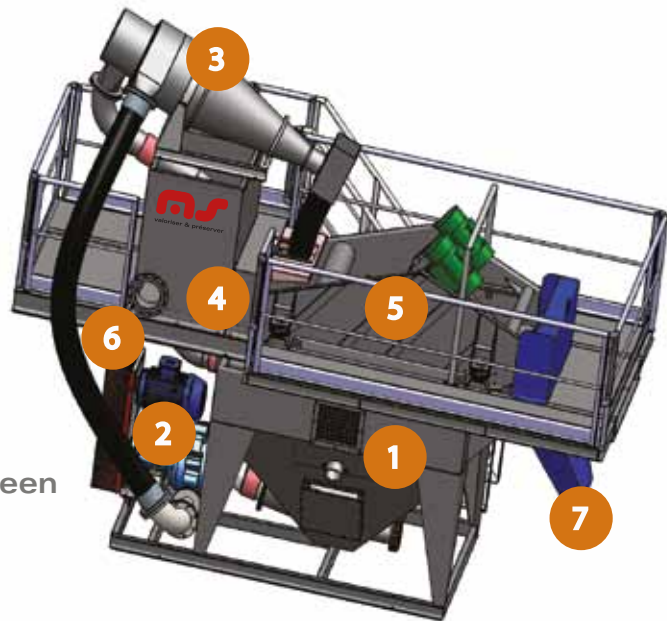


High performance dewaterer

Leading partners for components



- 1 Feed to the pumping tank - level stabilisation by floating valve.
- 2 Sand pump, pipings and connections.
- 3 High performance cyclone, fitted on an inclined bed
- 4 Stabilisation box
- 5 Linear vibration dewatering screen
- 6 Discharge of cycloned water
- 7 Discharge of dewatered sand



## Security

Safety is paramount at every stage and a priority every day for MS (research, study, design, organisation, and installation) and throughout its solutions' life cycles (factory, in use, dismantling) for their teams, their partners, and thier customers.

Examples of setting (sand 0/4 mm)

Types of units	Capacities (0-4 mn dewatered sand)	Tanks	Pumps		Motors	Cyclones	Dewaterers
			Metso	Warman			
MS 60x20	20 t/h	2 x 1,4	HR 75	3/2	11 KW	Ø 300	ES 5 x 15
MS 100x40	40 t/h	2,2 x 1,6	HR 100	4/3	15 KW	Ø 440	ES 6 x 19
MS 200x60	60 t/h	2,5 x 2	HR 150	6/4	18,8 KW	Ø 560	ES 8 x 20
MS 300x60	60 t/h	2,5 x 2	HR 150	6/4	22 KW	Ø 650	ES 8 x 20
MS 300x100	100 t/h	2,5 x 2	HR 150	6/4	30 KW	Ø 650	ES 10 x 24
MS 400x130	130 t/h	3 x 2,2	HR 200	8/6	37 KW	Ø 750	ES 12 x 27
MS 500x150	150 t/h	3 x 2,2	HR 200	8/6	45 KW	Ø 900	ES 15 x 31
MS 600x200	200 t/h	3 x 2,2	HR 250	10/8	55 KW	2 x Ø 650	ES 18 x 33 4P
MS 800x250	250 t/h	3 x 2,2	HR 250	10/8	75 KW	2 x Ø 750	ES 18 x 33 6P
MS 1000x300	300 t/h	3,5 x 2,8	HR 250	10/8	90 KW	2 x Ø 900	ES 21 x 40
MS 1200x300	300 t/h	3,5 x 2,8	HR 250	10/8	90 KW	2 x Ø 900 +	ES 21 x 40



Ms sand treatment in Reunion Island



2 rue Pierre-Gilles de Genes  
 Pra de Serre 63960 Veyre-Monton - France  
 tel +33 4 73 28 52 70 - fax +33 4 73 28 52 71  
 info@m-s.fr - www.m-s.fr

 **Prix de l'Entrepreneur de l'Année**  
 business vert > Prix Rhône-Alpes-Auvergne  
 > Prix national



Follow us on the web

